

1

SPECTRA B350TSB

Traffic Light Beacon
E14 Filament bulb
IP Rating: IP65
Temp: -25°C to +50°C
Unit weight: 210g
CE

Dimensions : Ø100 x 140mm
1.5mm² terminals
Cable entry: 1 x 5-7mm push through
grommet
2 x M20 cable entry (IP65)

Order code Voltage
B350TSB250B/x 12-230V

X = L.E.D. colour
R = Red A = Amber
B = Blue C = Clear
G = Green Y = Yellow


Multi-unit connection possible using
connector supplied
B450 and B350 units are interconnectable
B350TSB unit is supplied without a bulb
Please order the correct voltage and
wattage

Bulbs E14
E2S Part No. Version
BR261225E 12V 25W
BR263025E 24V 25W
BR264825E 48V 25W
BR2613025E 115V 25W
BR2623525E 230V 25W


Tel : +44 (0)20 8743 8880 Fax : +44 (0)20 8740 4200
Email : sales@e2s.com Web : www.e2s.com



2

 **ATTENTION:** Installation must be carried out by an electrician in compliance with the latest codes and regulations.

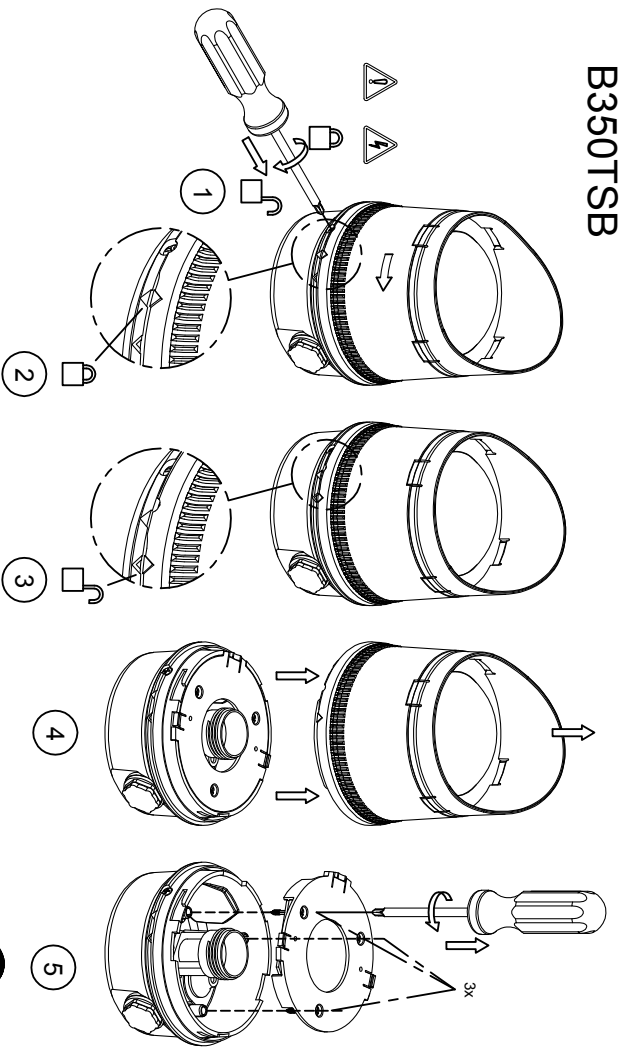
 **ATTENTION:** Disconnect from power source before installation or service to prevent electric shock.

 **ATTENTION:** Lens on unit will be hot allow to cool prior to removal.



A SPECIIRA

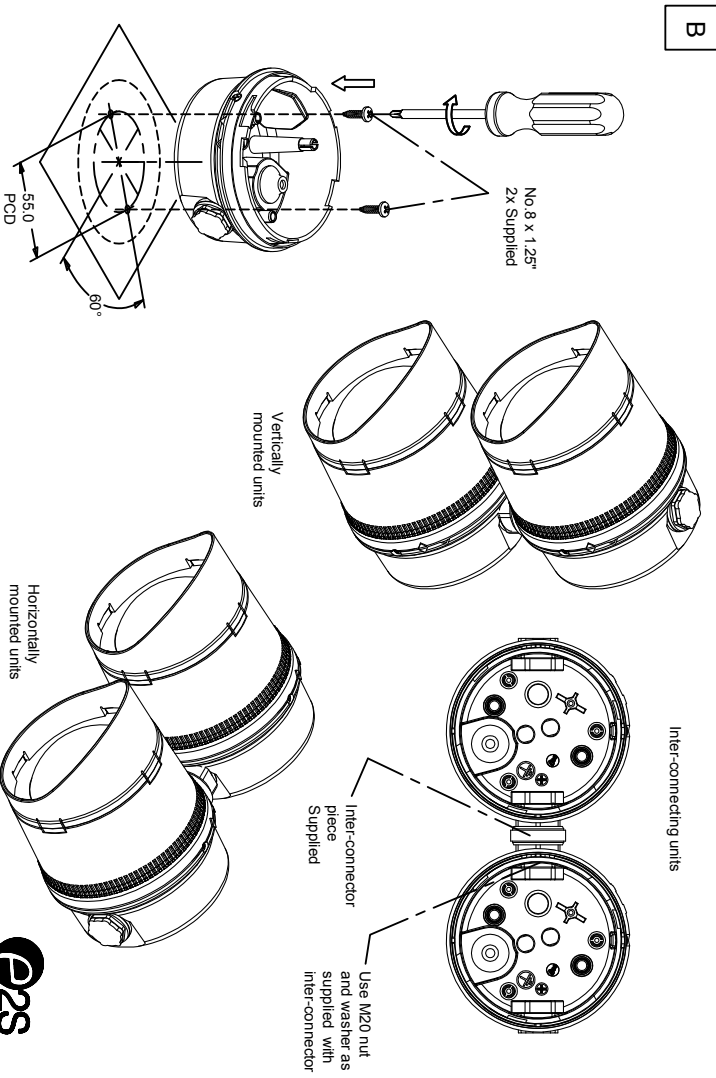
B350TSB



Tel : +44 (0)20 8743 8880 Fax : +44 (0)20 8740 4200
 mail : sales@e2s.com web : www.e2s.com



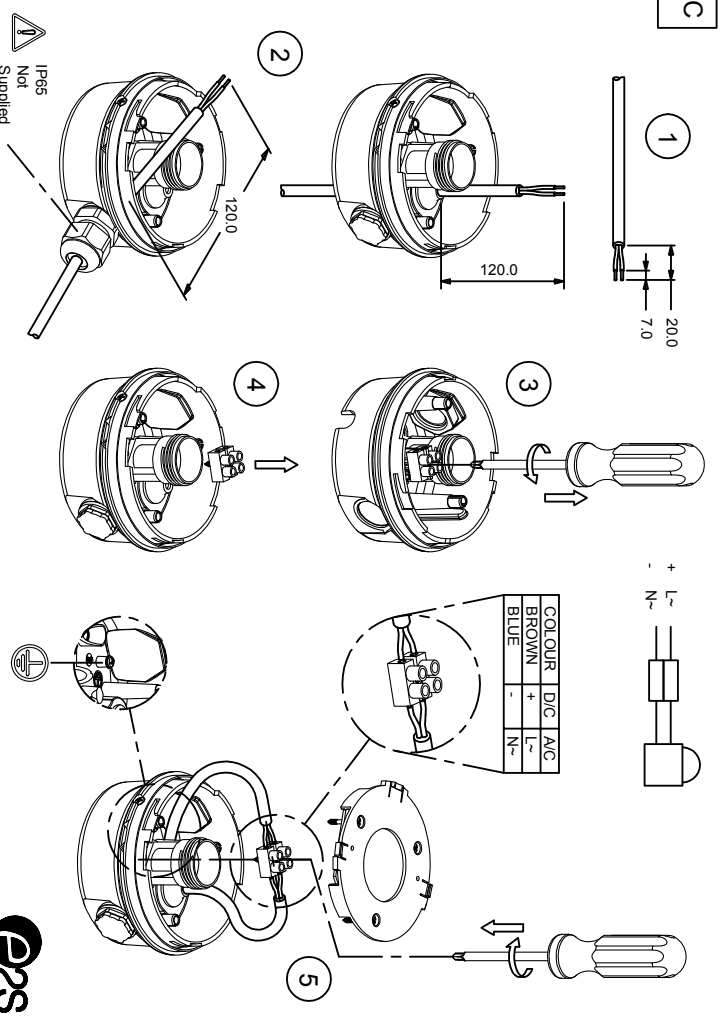
B



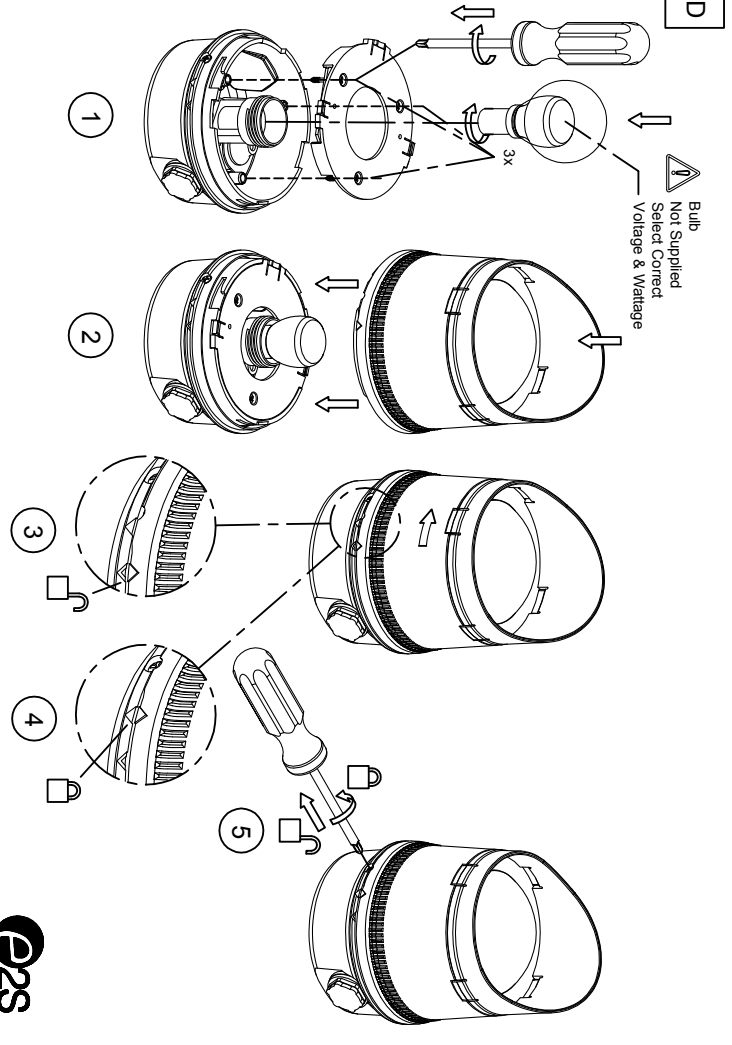
Dimensions in mm



C



D



D116-00-1014S-SHTZ_LSSUE_B

