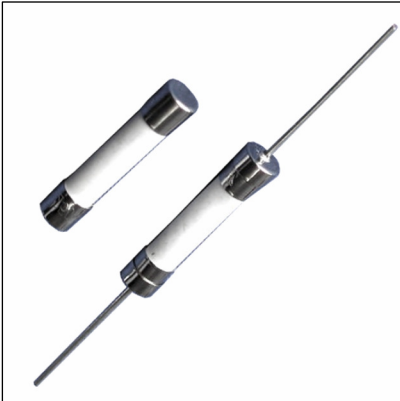




## ABE, ABP предохранитель керамический цилиндрический



### **Operating Temperature**

-55°C to +125°C

### **Physical Specification**

#### **Materials**

Ceramic body / Nickel Plated Brass Caps

Lead Wire:

Diameter Ø0.8 mm 12A and less.

Diameter Ø1.0 mm for rating above 13A to 19A.

Diameter Ø1.2 mm for rating above 20A.

#### **Packaging**

In Bulk: ABE-500 pcs; ABP-250 pcs per box

### **Approvals**

ABE	
UL Listed	10mA~15A
UL Recognized	15.1A~30A
CSA Certified	100mA~15A
CSA Acceptance	15.1A~25A
PSE	1A~15A
Recognized Component for Canada and U.S.	15.1A~30A
ABP (With Pig-Tail)	
UL Listed	10mA~15A
UL Recognized	15.1A~30A
CSA Certified	100mA~15A
CSA Acceptance	15.1A~25A
PSE	1A~15A
Recognized Component for Canada and U.S.	15.1A~30A

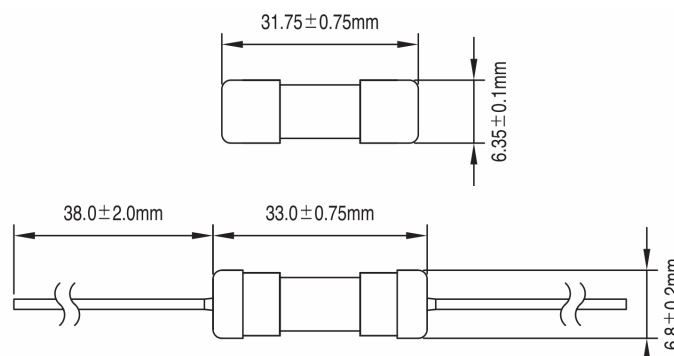
### **Electrical Characteristics**

Rated Current	1 In	1.35 In	2 In
	MIN	MAX	MAX
10mA~30A	4 hr	1 hr	30 sec
Above 30A	4 hr	1 hr	120 sec

### **Interrupting Ratings**

10mA~10A	10,000 amperes at 125V AC
10mA~1A	35 amperes at 250V AC
1.25A~3.5A	100 amperes at 250V AC
3.75A~10A	200 amperes at 250V AC
10.1A~30A	750 amperes at 250V AC/DC

### **Mechanical Dimensions**





Cartridge Catalog Number	Axial Lead Catalog Number	Ampere Rating [In]	Voltage Rating (V)	Nominal Resistance Cold Ohms	Nominal Melting I <sup>2</sup> t A <sup>2</sup> Sec
ABE .010	ABP .010	10 mA	250V	*	*
ABE .020	ABP .020	20 mA		*	*
ABE .030	ABP .030	30 mA		*	*
ABE .032	ABP .032	32 mA (1/32A)		*	*
ABE .040	ABP .040	40 mA		*	*
ABE .050	ABP .050	50 mA		*	*
ABE .060	ABP .060	60 mA		*	*
ABE .063	ABP .063	63 mA		*	*
ABE .070	ABP .070	70 mA		*	*
ABE .080	ABP .080	80 mA		*	*
ABE .100	ABP .100	100 mA		14.600	0.00200
ABE .125	ABP .125	125 mA		10.200	0.00312
ABE .150	ABP .150	150 mA		7.7000	0.00450
ABE .160	ABP .160	160 mA		7.0000	0.00512
ABE .200	ABP .200	200 mA		6.0000	0.00800
ABE .250	ABP .250	250 mA		3.3500	0.01250
ABE .300	ABP .300	300 mA		2.8000	0.01800
ABE .315	ABP .315	315 mA		2.3000	0.01984
ABE .350	ABP .350	350 mA		2.0000	0.02450
ABE .375	ABP .375	375 mA		1.6500	0.02812
ABE .400	ABP .400	400 mA		1.4000	0.03200
ABE .500	ABP .500	500 mA		0.6120	0.07500
ABE .600	ABP .600	600 mA		0.4740	0.10800
ABE .630	ABP .630	630 mA		0.3850	0.11900
ABE .700	ABP .700	700 mA		0.3500	0.14700
ABE .750	ABP .750	750 mA		0.3200	0.16870
ABE .800	ABP .800	800 mA		0.2910	0.16870
ABE 001	ABP 001	1 A		0.2205	1.50000
ABE 1.25	ABP 1.25	1.25 A		0.1758	2.34300
ABE 1.50	ABP 1.50	1.5 A		0.1223	4.50000
ABE 002	ABP 002	2 A	0.0844	8.00000	
ABE 2.50	ABP 2.50	2.5 A	0.0737	12.5000	
ABE 003	ABP 003	3 A	0.0612	13.5000	
ABE 3.50	ABP 3.50	3.5 A	0.0430	18.3750	
ABE 004	ABP 004	4 A	0.0339	24.0000	
ABE 4.50	ABP 4.50	4.5 A	0.0263	30.3750	
ABE 005	ABP 005	5 A	0.0234	37.5000	
ABE 006	ABP 006	6 A	0.0177	54.0000	
ABE 6.30	ABP 6.30	6.3 A	0.0170	59.5350	
ABE 007	ABP 007	7 A	0.0153	98.0000	
ABE 7.50	ABP 7.50	7.5 A	0.0140	112.5000	
ABE 008	ABP 008	8 A	0.0129	160.0000	
ABE 010	ABP 010	10 A	0.0111	300.0000	
ABE 012	ABP 012	12 A	0.0078	532.8000	
ABE 013	ABP 013	13 A	0.0071	574.6000	
ABE 015	ABP 015	15 A	0.0061	945.0000	
ABE 016	ABP 016	16 A	0.0053	1098.0000	
ABE 018	ABP 018	18 A	0.0044	1360.8000	
ABE 020	ABP 020	20 A	0.0041	1800.0000	
ABE 025	ABP 025	25 A	0.0029	3437.0000	
ABE 030	ABP 030	30 A	0.0023	5600.0000	

\*Please contacts CONQUER.